

Flange Repair Clamps - Stop Flange Gasket leaks

No special surface preparation is required prior to installation.

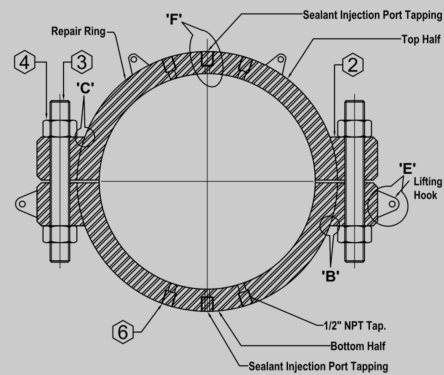
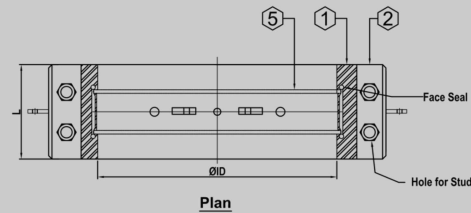
The product can be installed by your own personnel and can be used multiple times.

Bolt leakage is stopped by the injection of a suitable sealant fluid via sufficient injection sockets.

In case of a small gap between the line flanges, gaskets can be installed for temporarily sealing prior and during injection.

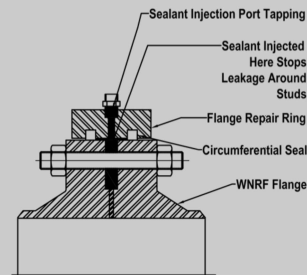
Detailed design is done based on line temperature, design temperature and design pressure.

Clamps are hydrottested as per ANSI class at 1.3 x operating pressure



Material specifications

Standard Clamp Components	
Body	ASTM A516
Stud Bolts	A193 Gr. B7
Nuts	A194 Gr. 2H
Gaskets	NBR (others available on request)



<http://www.pipelinecoupling.com/pages2/flange-leak-repair-clamp.php>